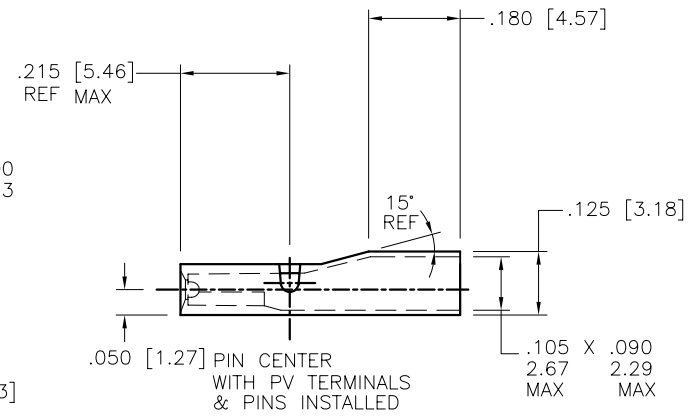
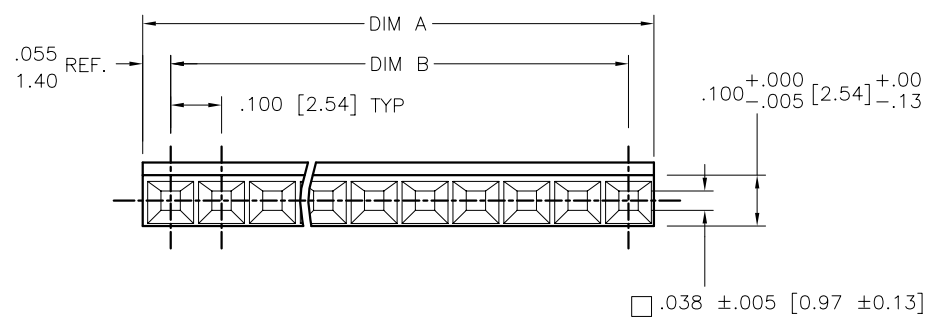
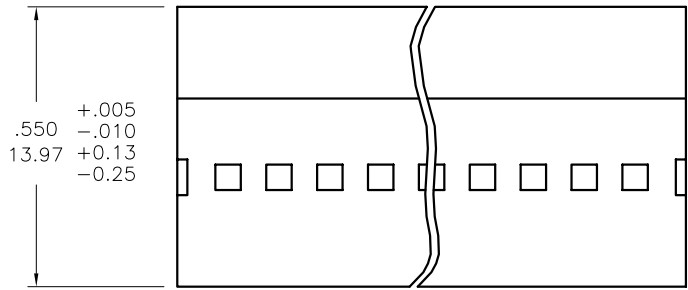


PRODUCT NO.
SEE TABLE



mat'l. code SEE NOTE 1 & 2				surface ✓		tolerance tolerances unless otherwise specified		projection INCH/MM		product family PV HOUSINGS		
ltr	ec'n no	dr	date	tolerances unless otherwise specified		angles		INCH/MM		title		
D	v51436	SAR	1996-01-24			linear		3:1		MINI ROD HSG SR 18 AWG .100 [2.54] CC WITH RODS		
E	v90988	RGD	1999-06-23			0°±2'				dwg no 65298		
F	v05-0712	DAI	2005-07-27							sheet 1 of 2 A3		
G	v06-0448	HTB	2006-05-22	dr	S. ROYER	1996-01-22				type Product Customer Drawing		
H	v06-0582	HTB	2006-06-14	engr	T. HANNA	1996-01-22						
J	v07-0563	HTB	2007-08-27	chr	T. BREWBAKER	1996-01-22						
sheet index				revision	J	J						
				sheet	1	2						

PRODUCT NUMBER	NO. OF CAV.	DIM 'A' MAX.	DIM 'B'	ROD INFORMATION		
				ROD P/N	QTY.	DIM 'C'
65298-001LF	4	.425 [10.80]	.300 [7.62]	65048-040	1	1.30/33.02
65298-002LF	5	.525 [13.34]	.400 [10.16]	65048-040	1	1.30/33.02
65298-003LF	6	.625 [15.88]	.500 [12.70]	65048-040	1	1.30/33.02
65298-004LF	7	.725 [18.42]	.600 [15.24]	65048-040	1	1.30/33.02
65298-005LF	8	.825 [20.96]	.700 [17.78]	65048-040	1	1.30/33.02
65298-006LF	9	.925 [23.50]	.800 [20.32]	65048-040	1	1.30/33.02
65298-007LF	10	1.025 [26.04]	.900 [22.86]	65048-026	1	2.30/58.42
65298-008LF	11	1.125 [28.58]	1.000 [25.40]	65048-026	1	2.30/58.42
65298-009LF	12	1.225 [31.12]	1.100 [27.94]	65048-026	1	2.30/58.42
65298-010LF	13	1.325 [33.66]	1.200 [30.48]	65048-026	1	2.30/58.42
65298-011LF	14	1.425 [36.20]	1.300 [33.02]	65048-026	1	2.30/58.42
65298-012LF	15	1.525 [38.74]	1.400 [35.56]	65048-026	1	2.30/58.42
65298-013LF	16	1.625 [41.28]	1.500 [38.10]	65048-026	1	2.30/58.42
65298-014LF	17	1.725 [43.82]	1.600 [40.64]	65048-026	1	2.30/58.42
65298-015LF	18	1.825 [46.36]	1.700 [43.18]	65048-026	1	2.30/58.42
65298-016LF	19	1.925 [48.90]	1.800 [45.72]	65048-026	1	2.30/58.42
65298-017LF	20	2.025 [51.44]	1.900 [48.26]	65048-013	1	3.45/87.63

NOTES:

- HOUSING MATERIAL : MODIFIED POLYPHENYLENE ETHER, FLAME RETARDANT PER UL 94-V0, COLOR: BLACK.
- ROD MATERIAL : NYLON (NATURAL COLOR) SEE FIGURE #1 FOR DIMENSIONS.
- TO MAKE PROPER CONTACT, ALL MALE PINS FOR EACH HOUSING MUST BE WITHIN ±.015/0.38 IN LENGTH. MIN. PIN LENGTH IS .180/4.57.
- MAX. WIRE CRIMP AND WIRE STRANDS ARE SHOWN IN FIGURE #3. SEE MINI PVTM™ TERMINAL SPECIFICATION TA-328 FOR CORRECT CRIMP HT. PRODUCT SPECIFICATION : BUS-12-067.
- THIS HOUSING IS INTENDED FOR USE WITH MINI PVTM™ TERMINAL WITH 18 GAUGE WIRE, MEETING SPECIFICATIONS SHOWN IN FIG. #3.
- HOUSINGS ARE NOT STACKABLE END TO END ON .100/2.54 CENTERS.
- RETENTION RODS ARE INCLUDED WITH MINI ROD HOUSINGS. RODS TO BE TRIMMED AFTER INSERTION.
- PRODUCT MEETS EUROPEAN UNION DIRECTIVES AND OTHER COUNTRY REGULATIONS AS DESCRIBED IN GS-22-008.
- THE PRODUCT IS NOT INTENDED TO BE EXPOSED TO MANUFACTURING SOLDER PROCESS.

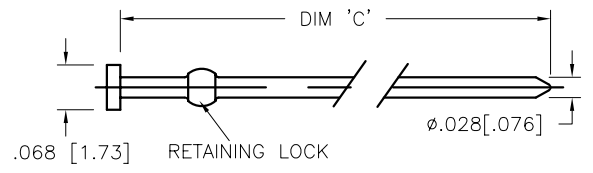


FIG. 1 RETENTION ROD DETAIL
SCALE 4:1

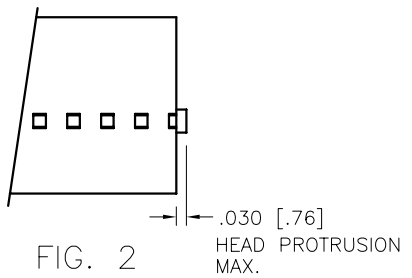


FIG. 2 HEAD PROTRUSION MAX.

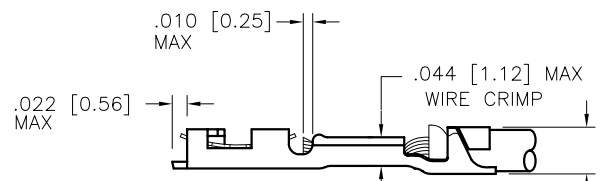


FIG. 3 RECOMMENDED CRIMP INFORMATION
.085 [2.16] WIDTH X .100 [2.54] HIGH INSULATION CRIMP MAX.

mat'l. code SEE NOTE 1 & 2		surface	tolerance	projection	product family PV HOUSINGS
ltr	ecn no	dr	date	tolerances unless otherwise specified	title
J				angles linear	MINI ROD HSG SR 18 AWG .100 [2.54] CC WITH RODS
				0°±2'	scale 3:1
		dr	S. ROYER	1996-01-22	dwg no
		enr	T. HANNA	1996-01-22	sheet 2 of 2
		chr	T. BREWBAKER	1996-01-22	size
		appd	T. HANNA	1996-01-22	A3
sheet	revision				type Product Customer Drawing
index	sheet				



Copyright FCI